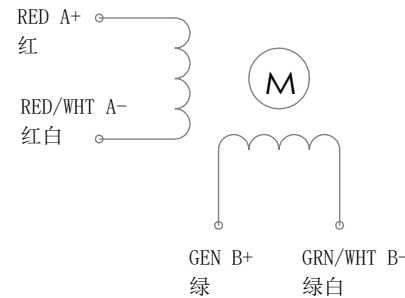
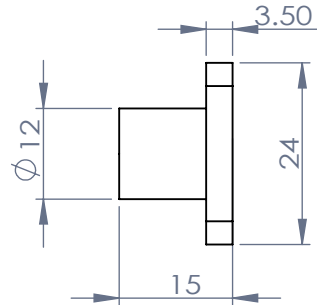
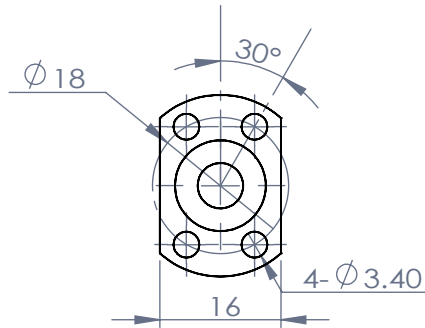
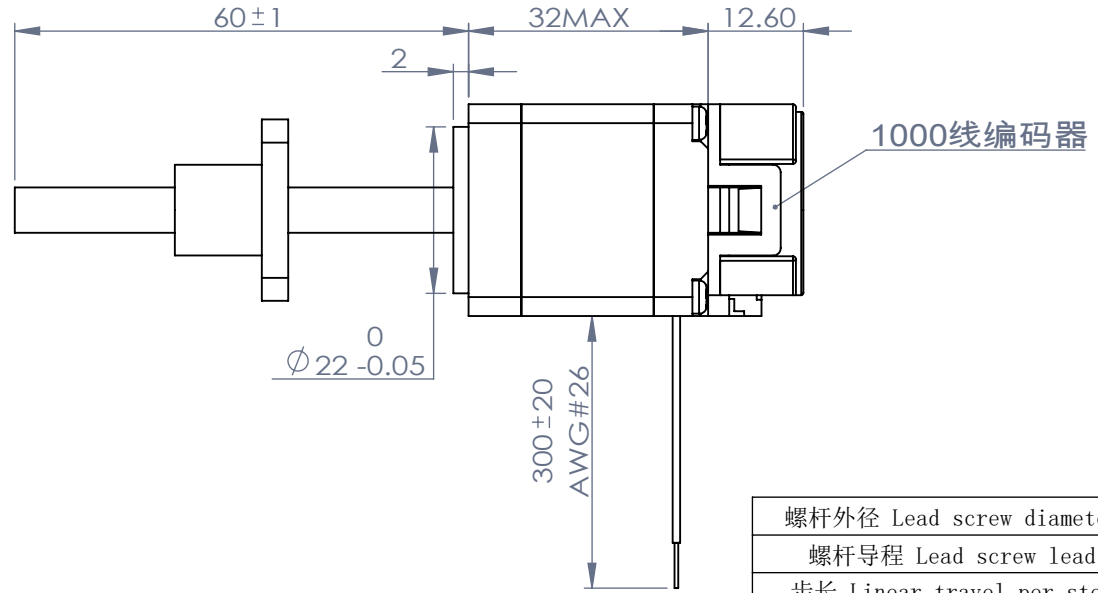
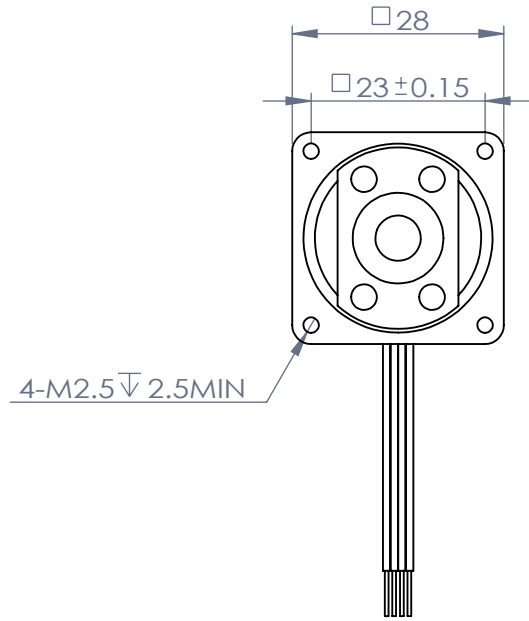


电机尺寸 : unit=mm

REVISION			
REV.	DATE	DESCRIPTION	DRAWN BY



螺杆外径 Lead screw diameter	Φ 6mm
螺杆导程 Lead screw lead	1mm
步长 Linear travel per step	0.005mm/step
电机相数 Motor's phase	2
步距角 Step angle	1.8°
额定电压 Rated voltage	2.0V
额定相电流 Rated current/phase	1.0A
相电阻 Resistance/phase	2.0Ω ±10%
相电感 Inductance/phase	1.4mH ±20%
绝缘等级 Insulation class	B
绝缘电阻 Insulation resistance	100MΩ (500VDC)
温升 Heat rise	80°C
最小推力 Minimal Thrust /60pps	5KG

电机使用注意事项:

1. 丝杆表面已涂覆专用油脂, 请勿添加不同配方油脂;
2. 安装和运行时丝杆应避免径向受力;
3. 禁止安装或拿取时拎电机动力线;
4. 禁止分解电机, 如有任何问题请联络厂家售后;
5. 接线顺序 (电机顺时针运转):
A+红色线, A-红白色线;
B+绿色线, B-绿白色线。

The dimensionless tolerance shall be in accordance with IT12.				Winding excited sequence			
CW	→						
A+	+		-				
A-	-		+				
B+		-	-				
B-		+	+				
CCW	←						

notice to all persons receiving this drawing
 1. The motor screw cannot be stressed in radial direction.
 2. The motor must be handled with care, not dropped, and not pulled on the motor lead-out.
 3. The motor screw rod cannot be clamped with hard objects to avoid damaging the screw teeth.

Customer		TITLE	
G001		28单叠外驱滚珠电机	
DATE	NAME	DWG.NO.	
DRAWN 2023/5/17	GUO	G28C0601-2010-60F-B	
Checkd		SCALE 1:1	A4
APPV'D		SHEET 1 OF 1	

